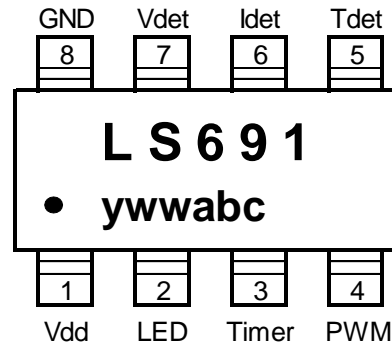


■ Features

- ◆ When battery is plugged, base on battery voltage level, go into suitable related charge process flow.
- ◆ Constant Current mode, which Fast Charge current is set by external resistors.
- ◆ Pre-Charge mode for protecting over discharged battery.
- ◆ Fast-Charge mode for speed-up normal battery.
- ◆ Battery is charged full when charge current is lower than 15% of setting level, 0.15C.
- ◆ Multiple protect functions: Over charge voltage protect, over charge current protect, over discharge battery protect.
- ◆ Temperature protect function: Initial temperature protect, and charge period temperature protect.
- ◆ Charge time out protect: Pre-Charge & Fast-Charge time out protect.
- ◆ Re-start charge process for battery voltage drop by self-discharged.
- ◆ 2 LED Charge status indication: power on, no battery, charge, full, defect.
- ◆ Working voltage: 4.5V.
- ◆ Marking: LS691  
ywwabc  
yww: year / week.  
abc: Wafer tracking code.
- ◆ Package: SOP-8 (150 mil)



■ Application: 1~ N cells battery charger (or function).

■ Pin Assignment

Pin No.	Name	I/O	Description
1	Vdd	P	Power Input
2	LED	O	LED charge status output
3	Timer	I	Time Out protect setting input
4	PWM	O	Constant current driving output
5	Tdet	I	Temperature detect Input
6	Idet	I	Charge current detect input
7	Vdet	I	Battery voltage detect input
8	GND	P	Ground